



BEST PRICE, BEST VALUE, RUGGED & SAFE.

PORTABLE AIR BAG JACK

4,400 LB. (2T) CAPACITY

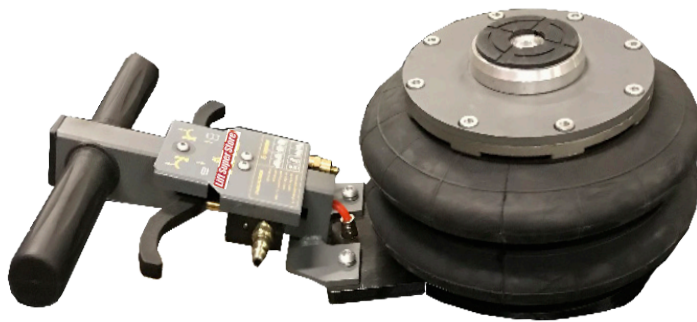
“CYCLONE” - GO PORTABLE AND GO ANYWHERE!

“CYCLONE AIR JACK”



4,400 LB. (2T) CAPACITY

AN IDEAL MULTI-PURPOSE PORTABLE AIR BAG JACK LIFTS 16.9” (430 MM) WITH A 4.5” (115MM) LOWERED HEIGHT. THE 4,400 LB. (2T) “CYLCONE” JACK WILL HANDLE MOST DOMESTIC CARS AND LIGHT TRUCKS.



“CYCLONE”

COMPACT & PORTABLE

10 1/2” WIDE (267 MM) AND OVERALL LENGTH OF 19 1/4” (489 MM). AIR OPERATED WITH 102 TO 145” PSI (.7 -1.0 PMBA). EASY TO HANDLE ONLY 29.5 LB. (11.4 KG).

January 2021

CONTACT US NOW WWW.LIFTSUPERSTORE.COM OR CALL 866-799-LIFT (5438)

CYCLONE

4,400 LB. (2T) CAPACITY



CYCLONE LSS44AJ

SPECIFICATIONS

- LOW MAINTENANCE PROBLEM FREE DESIGN - HEAVY DUTY RUBBER DOUBLE AIR BAG. POWDER COATED AND PLATED COMPONENTS.
- PORTABLE AND EASE OF OPERATION - TWIN RUBBER COATED CARRYING HANDLES. TWIN RUBBER COVERED HANDLE GRIP STYLE RAISING AND LOWERING HANDLES. ONLY 29 1/2 LB. (11.4 KG)
- LIFTS HIGH WITH A LOW COLLAPSED HEIGHT - LIFTS 16.9" (430 MM) OR 13.8" (350MM) WITH REMOVABLE 3.2" (80MM) HEIGHT ADAPTER LOWER HEIGHT ONLY 4.5" (115 MM)
- WORKS WITH SMALL PORTABLE AIR COMPRESSORS. OPERATES WITH 102 TO 145 PSI (.7 TO 1.0 PMBA) AIR PRESSURE.
- IDEAL FOR BOTH HOBBY OR LIGHT COMMERCIAL USE.
- USE IN DOOR OR OUTDOOR ON ANY COMPACT LEVEL SURFACE. IDEAL WHEN USED WITH THE JACKING PLATE PROVIDED WITH A PARKING STORAGE LIFTS
- COMPACT SPACE SAVING DESIGN - ONLY 10 1/2" X 19 1/2" (267MM X 495MM)
- RUGGED STABLE DESIGN AND LARGE FOOT PRINT IS IDEA FOR MOST VEHICLE repairs.
- * UNDER CAR JACKS SHOULD ALWAYS BE USED WITH JACK STANDS .



FEATURES



RUBBER GRIP HANDLES AND BICYCLE GRIP AIR CONTROLS

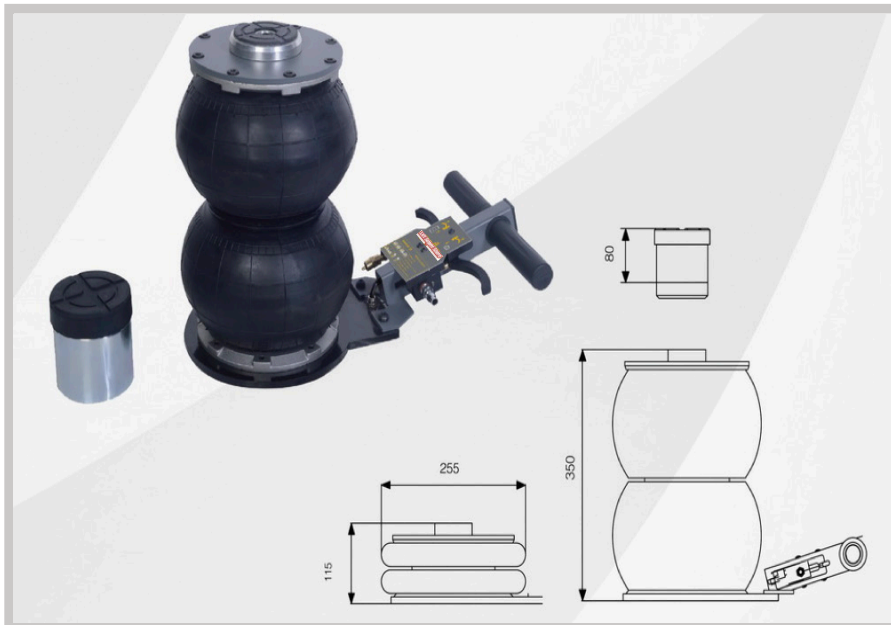


NICKEL PLATED 3.2" (80 MM) HEIGHT ADAPTER NON SLIP CONTACT ADAPTER.



HEAVY DUTY INDUSTRIAL DOUBLE AIR BAG LIFTING SYSTEM

EQUIPMENT FOOTPRINT



The Liftsuperstore
Retail locations throughout the USA - Florida, Texas, Wisconsin, Missouri, Virginia & Alabama
Call: 866-799-5438

