



CALL 866-799-LIFT

WWW.LIFTSUPERSTORE.COM

| LSS1PBP

LESS SPACE & LESS MAINTENANCE SINGLE POST PORTABLE SERVICE LIFT 6,000 LB. (2.7T) CAPACITY

“CAR VALET”

6,000 LB. CAPACITY
COMPACT PORTABLE SINGLE POST PARKING SERVICE LIFT IDEAL WHERE SPACE IS AT A PREMIUM. POWDER COAT FINISH WITH NO CABLES OR PULLEYS REDUCES MAINTENANCE COSTS. THE 6,000 LB. (2.7T) CAPACITY LIFT PROVIDES 76 3/4" (1951MM) OF LIFT HEIGHT .

EASY TO OPERATE



“CAR VALET” COMPACT & LOW MAINTENANCE

OPERATES ON 110V OR 220V POWER. FOOT PRINT OF 100" X 74" (2540 X 1880 MM). OVERALL COLUMN HEIGHT OF 102 1/2" (2604MM) WILL OPERATE WITH MOST 10' (3048MM) CEILINGS. EASY TO USE INDUSTRIAL STYLE PALLET JACK ALLOWS FOR EASY MOBILY.

CONTACT US NOW WWW.LIFTSUPERSTORE.COM OR CALL 866-799-LIFT

CAR VALET

6,000 LB. (2.7T) CAPACITY

CAR VALET LSS1PBP

FEATURES

- LOW MAINTENANCE PROBLEM FREE DESIGN - 52" (1321MM) LONG STROKE 3" (76MM) OD HIGH PRESSURE CYLINDER WITH HD LEAF CHAIN. TOUGH WHEEL-A BRATOR FINISHED STEEL STRUCTURE WITH PREMIUM DOUBLE BAKE FINISH.
- REDUNDANT SAFETY SYSTEMS- 16 POSITION SELF ACTIVATING MECHANICAL LOCKING SYSTEM WITH EASY TO USE RELEASE HANDLE. VELOCITY FUSED TO PROTECT AGAINST FLUID BURST. LARGE "Y" SHAPED BASE FRAME PROVIDES ADDED STABILTY.
- LIFTS HIGHER TO PROVIDE MORE UNDER CAR WORK AREA - LIFTS 75" / 1905MM OR 67" (1702 MM) UNDER LIFTING BOLSTER (WHEN SITTING ON THE TOP LOCK).
- FLEXIBLE VEHICLE LOADING - LOW TO THE FLOOR 4.7" / 119.4 MM LOWERED CLEARANCE HEIGHT. STRONG STABLE BASE FRAME 71" X 50.5" (1803 X 1283 MM) PROVIDES STABILTY WHEN FULLY LOADED.
- PREMIUM NORTH AMERICAN COMPONENTS - NORTH AMERICAN MADE MONARCH (BUCHER) POWERUNIT, 1HP/ .75KW110V 15 AMP 60HZ 1PH OR 2HP/1.5KW 220V 8 AMP 60HZ 1 PH. LIFTS TO FULL HEIGHT IN 45 SECONDS.
- PORTABLE & EASY TO MANEUVER - INDUSTRIAL STYLE PALLET JACK WITH TWIN 6" (152.4MM) NYLON WHEELS. SPRING LOADED LOCK RELEASE HANDLES ALLOW THE PALLET JACK TO BE LOWERED. LARGE 4" (101.6MM) WIDE NYLON FRONT ROLLERS ALLOW FOR EASY MOVEMENT EVEN ON ROUGH FLOORS.
- COMPACT SPACE SAVING DESIGN - LIFT VEHICLES IN BUILDINGS WITH CEILINGS AS LOW AS 10' (3048MM) . DESIGNED TO FIT MOST STANDARD GARAGE LAYOUTS WITH A FOOTPRINT AS SMALL AS 110" X 89.4" (2794 X 2271MM) AND OVERALL COLUMN HEIGHT OF 102" (2591MM).
- FLEXIBLE ARM REACH ADJUSTMENT ACCOMODATES MOSTS CARS - TWO WAY ADJUSTABLE EXTENDING INSIDE ARMS 50" TO 69.7" (1270MM TO 1770MM). TWO STAGE SWING OUT ADJUSTABLE OUTBOUND WITH LOCKING RESTRAINTS. DROP IN STYLE DOUBLE SCREW ADJUSTABLE LIFT PADS WITH RUBBER COVER.



PREMIUM NORTH AMERICAN MADE BUCHER POWER UNIT AVAILABLE IN 110V OR 220V



RUBBER COVERED DROP IN STYLE DOUBLE ADJUSTING LIFT PADS

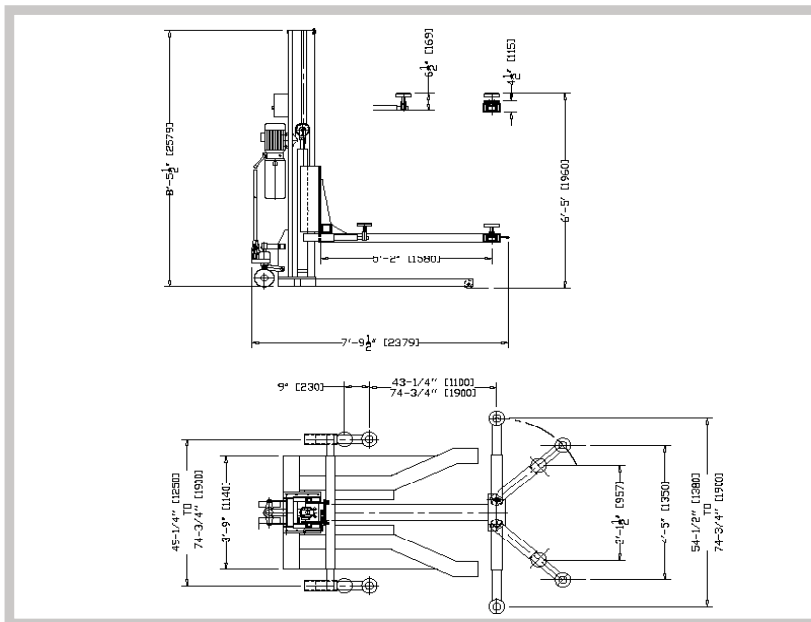


STRONG "Y" SHAPED BASE FRAME PROVIDES MAXIMUM STABILITY



LOCK RELEASE HANDLE AND FOOT PROTECTION GUARDS

EQUIPMENT FOOTPRINT



Disclaimer: The Liftsuperstore is constantly updating their products to maintain the highest possible standards of performance and safety. The specifications included in this brochure are only accurate at the time of printing and are subject to change without notice.

CONTACT US NOW

CALL: 866-799-5438
WWW.TLSLIFTS.COM



TOTAL AUTOMOTIVE LIFTING SOLUTIONS
RETAIL LOCATIONS THROUGHOUT CANADA
2300 SPEERS RD OAKVILLE ONTARIO



AUTHORIZED TLS DISTRIBUTORS LOCATED: ALABAMA, ARIZONA, CALIFORNIA, FLORIDA, TEXAS, INDIANA, NEW ENGLAND, NEW HAMPSHIRE, WISCONSIN, MISSOURI, & VIRGINIA