



CALL 866-799-LIFT

WWW.LIFTSUPERSTORE.COM

LSSMR66

BODY CONTACT MID RISE SCISSOR LIFTS
REQUIRE LESS SPACE & LESS MAINTENANCE

SPIDER

MID RISE SCISSOR

6,600 LB. / 3.0T CAPACITY

COMPACT DESIGN IDEAL FOR TIRES, BRAKES,
BODY REPAIR & FAST LUBE



FEATURES



AIR RELEASE MECHANICAL
LOCKING

OPTIONAL



LIGHT TRUCK FRAME

MID RISE - SPIDER 6,600 LB. / 3T FIXED POSITION PAD STYLE MID RISE LIFT

6.6K / 3T LSSMR66

SPECIFICATIONS

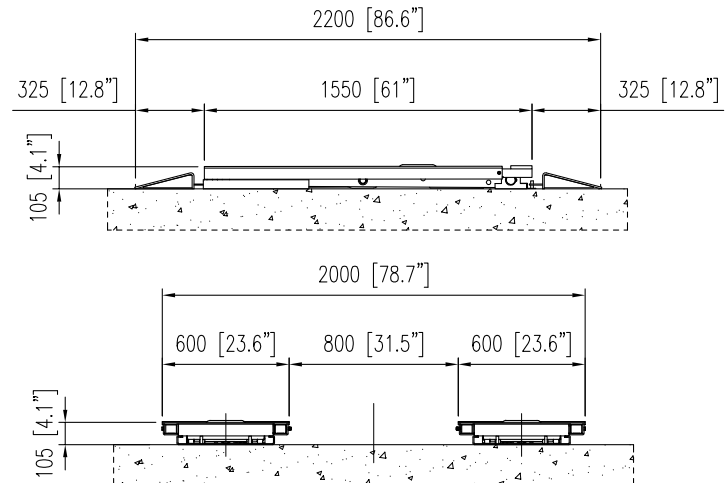
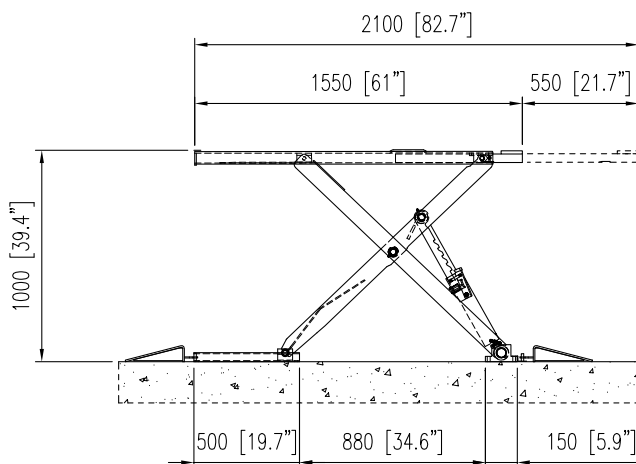
| SPECIFICATIONS | MID RISE BODY ENGAGING SCISSOR |
|------------------------------------|---|
| CAPACITY | 6,600 LB. / 3.0KG |
| POWER SUPPLY | 220V 12 AMP 2HP/ 1.5 KW |
| HYDRAULIC CYLINDERS | 2 - 3" X 15" LONG / 76MM X 381MM LONG |
| LIFTING TIME | 25 SECONDS (220V) |
| OVERALL WIDTH | 78-3/4" / 2000MM |
| OVERALL LENGTH | 86-1/2" / 2200MM |
| DRIVE OVER HEIGHT | 4-1/8" / 105MM |
| OVERALL LIFTING HEIGHT | 39-3/8" / 1000MM (42" / 1066MM WITH ADAPTERS) |
| # OF MECHANICAL LOCKS | 5 |
| LOCK RELEASE | AIR CYLINDER LOCK RELEASE |
| FINISH | DOUBLE BAKE COAT |
| HEIGHT ADAPTERS | 4" / 101MM RUBBER COVERED BLOCKS |
| LIFTING PAD DIMENSIONS | 61" TO 82-1/2" EXTENDED X 23-1/2" WIDE / 1550 TO 2100MM EXTENDED X 597MM WIDE |
| EQUALIZATION | VOLUMETRIC |
| AVAILABLE IN FLUSH MOUNT | YES |
| PULL OUT DECK EXTENSION | YES |
| ARM REACH SIDE TO SIDE | N/A |
| OPTIONAL LIGHT TRUCK FRAME ADAPTER | YES |

FEATURES

- **COMPACT DESIGN - RUGGED CONSTRUCTION - SMALL FOOT PRINT TAKES UP LESS BAY SPACE WHILE STILL ALLOWING BEST IN CLASS WEIGHT CAPACITIES. ONLY 78 3/4" / 2000MM WIDE X 86 1/2" / 2200MM LONG.**
- **VERSATILITY AND EASE OF USE - IDEAL FOR SMALL COMPACT CARS UP TO LIGHT DUTY TRUCKS WITH PULL OUT EXTENSIONS ALLOWING EASE OF USE ON SHORT OR LONG WHEELBASE VEHICLES. NO TIE BAR OR FLOOR OBSTRUCTION.**
- **VOLUMETRIC CONTROL STAYS LEVEL ALL THE TIME - THANKS TO SINGLE CYLINDER WITH DUAL CHAMBER, UNIT STAYS LEVEL ALL THE TIME. NO ELECTRONIC SENSORS REQUIRED ON THE LIFT.**
- **LOWER MAINTENANCE - LESS DOWNTIME - NO ELECTRONIC SENSORS, NO EQUALIZATION VALVE, EXTRA-LARGE PINS WITH ACCESSIBLE GREASE FITTINGS MAKES THIS IDEAL EQUIPMENT FOR HIGH DUTY CYCLE SHOPS WHO REQUIRE LESS DOWNTIME.**
- **BUILT FOR SAFETY - 5 LOCKING POSITIONS ENSURE SIDE TO SIDE STABILITY AND ELIMINATES ACCIDENTAL LOWERING OF THE LIFT. SINGLE POINT AIR CYLINDER LOCK RELEASE.**
- **UNOBSTRUCTED ACCESS - OPEN FRONT AND REAR CONSTRUCTION WITH NO TIE BARS OR TORSION RODS ALLOWS FOR UNOBSTRUCTED ACCESS TO THE UNDERSIDE OF MOST VEHICLES WITH 27" / 686MM TO 38" / 965MM OF WORKING AREA BETWEEN THE SUPERSTRUCTURES.**
- **EASY VEHICLE SPOTTING - THE FLAT DECK PLATFORM AND "SPOTTING BLOCKS" ALLOWS QUICK SET-UP BY THE OPERATOR INCREASING BAY PRODUCTIVITY.**
- **LOW PROFILE APPROACH RAMP OR FLUSH MOUNT OPTIONS - THE LOW PROFILE RAMPS 4-1/8" / 105MM COLLAPSED HEIGHT ALLOW FOR ACCESSIBILITY OF SMALLER COMPACT CARS WHILE STILL ALLOWING FOR HEAVIER LOADS. THE LIFT CAN ALSO BE FLUSH MOUNTED FOR THE ULTIMATE IS PRODUCTIVITY AND SPACE SAVING BAY SOLUTIONS.**

DISCLAIMER: TLS INC. IS CONSTANTLY UPDATING THEIR PRODUCTS TO MAINTAIN THE HIGHEST POSSIBLE STANDARDS OF PERFORMANCE AND SAFETY. THE SPECIFICATIONS INCLUDED IN THIS BROCHURE ARE ONLY ACCURATE AT THE TIME OF PRINTING AND ARE SUBJECT TO CHANGE WITHOUT NOTICE.

EQUIPMENT FOOTPRINT



THE LIFTSUPERSTORE
RETAIL LOCATIONS THROUGHOUT THE USA & CANADA

HEAD OFFICE & MANUFACTURING CENTRE
2300 SPEERS ROAD, OAKVILLE ONTARIO,

THE LIFTSUPERSTORE AND ALL ITS REGISTERED TRADE MARKS ARE PART OF THE TLS LIFT GROUP. PLEASE CALL US FOR PRODUCT INFORMATION ON COMMERCIAL AND HEAVY DUTY LIFT PRODUCTS.