



CALL 866-799-LIFT

WWW.LIFTSUPERSTORE.COM

LSS6MR

HEMI ROADRUNNER MID-RISE PORTABLE

6,000 LB. / 2.7T CAPACITY

LIFTS 60" / 1524MM WITH
ADAPTERS

IDEAL FOR TIRES, BRAKES & DETAILING

LONG 27" / 686MM SWING ARMS ARE ADJUSTABLE TO
REACH MOST CAR & LIGHT TRUCK PICKUP POINTS

YOUR CHOICE OF 220V 2HP OR 110V 1 HP



THE LIFTSUPERSTORE AND ALL IT'S REGISTERED TRADE MARKS ARE PART OF THE TLS LIFT GROUP. PLEASE CALL US FOR PRODUCT INFORMATION ON COMMERCIAL AND HEAVY DUTY LIFT PRODUCTS. WWW.TLSLIFTS.COM

February 2025

ADDITIONAL FEATURES



▲ PORTABLE ROLL AROUND
CART & POWER UNIT



▲ MOTORCYCLE STYLE LOCK
RELEASE WITH 7 MECHANICAL
LOCK POSTIONS

CONTACT US NOW WWW.LIFTSUPERSTORE.COM OR CALL 866-799-LIFT

**MID RISE PORTABLE LIFT -
"HEMI ROADRUNNER"
6,000 LB. / 2.7 CAPACITY**



LSS6MR

SPECIFICATIONS	MID RISE
CAPACITY	6,000 LBS. / 2.7T
POWER SUPPLY	R4 MODELS - 110V 15 AMP 1PH R1 MODELS - 220V 15 AMP 1PH
HYDRAULIC CYLINDERS	2 @ 3" OD X 28" LONG / 76MM OD X 711MM LONG
LIFTING TIME	30 SECONDS (220V)
OVERALL WIDTH	39-1/2" / 1003MM
OVERALL LENGTH	102" / 2590MM
DRIVE OVER HEIGHT	5-1/2" / 140MM
OVERALL LIFTING HEIGHT	54" / 1371MM (60" 1524MM WITH ADAPTERS)
# OF MECHANICAL LOCKS	7
LOCK RELEASE	MOTORCYCLE HAND GRIP
FINISH	DOUBLE BAKE POWDER COAT
HEIGHT ADAPTERS	1-1/2", 2-1/4" & 5-3/4" / 38, 57 & 146MM DROP IN STACKING ADAPTERS
LIFTING PAD DIMENSIONS	N/A
SWING ARMS	4 - 27" / 685MM LONG
FRAME DIMENSIONS	39-1/2" X 71-1/2" / 1003MM X 1841MM
ARM REACH FRONT TO BACK	49-1/2" TO 64" / 1257MM TO 1625MM
ARM REACH SIDE TO SIDE	42 TO 66-1/2" / 1067MM TO 1689MM

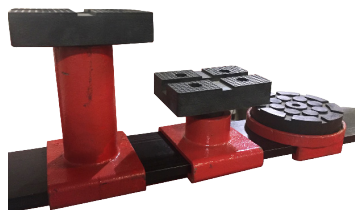
Disclaimer: TLS Inc. is constantly updating their products to maintain the highest possible standards of performance and safety. The specifications included in this brochure are only accurate at the time of printing and are subject to change without notice.

FEATURES

- PREMIUM NORTH AMERICAN COMPONENTS - NORTH AMERICAN MADE MONARCH (BUCHER) POWER UNIT AND TWIN 2" / 51MM TO 3" / 76MM OD HYDRAULIC CYLINDERS (MID RISE) OR SINGLE 3" / 76MM TO 4-1/4" / 89MM OD CYLINDER (LOW RISE) PROVIDE LONGER MORE DEPENDABLE SERVICE LIFE.
- MULTI PURPOSE DESIGN EXCELLENT FOR CARS, SUV'S AND LIGHT TRUCKS - (MID RISE) ADJUSTABLE ROTATING SWING ARMS PROVIDES MAXIMUM REACH. STACKING ADAPTERS PROVIDE AN OVERALL MAXIMUM LIFTING HEIGHT OF 60" / 1524MM.
- (LOW RISE) LARGE RUBBER PADDED LIFTING DECKS 18-1/4" X 53" / 463MM X 1346MM PROVIDE A STABLE PLATFORM FOR MOST CARS AND LIGHT TRUCKS. A SET OF FOUR (4) LIFTING ADAPTERS ARE INCLUDED. LOW DRIVE OVER HEIGHT OF 5-1/2" / 140MM IS IDEAL FOR COMPACT AND SPORT CARS.
- CORROSION RESISTANT PROTECTION - STEEL STRUCTURAL COMPONENTS ARE WHEEL-A-BRATOR SHOT BLASTED AND ACID WASHED BEFORE A "DOUBLE BAKE" POWDER COAT FINISH.
- IDEAL FOR EITHER HOBBY OR COMMERCIAL USE - THE LIFT IS BUILT TO INDUSTRY STANDARDS AND COMES WITH A SEVEN (7) POSITION (MID RISE) MECHANICAL LOCKING SYSTEM AND FAIL SAFE HYDRAULIC VELOCITY FUSE IN EACH CYLINDER. BOTH LIFTS ARE AVAILABLE IN EITHER 220V 1 PHASE 15 AMP OR 110V 1 PHASE 15 AMP POWER SUPPLY. THE LOW RISE LIFT IS BUILT TO INDUSTRY STANDARDS AND COMES WITH A THREE (3) POSITION MECHANICAL LOCKING SYSTEM AND FAIL SAFE VELOCITY FUSE.
- IDEAL WHERE THERE ARE LOW CEILINGS OR MINIMAL SPACE (MID RISE) - THE COMPACT SPACE SAVING DESIGN IS ONLY 40" / 1016MM WIDE BY 99-1/2" / 2527MM LONG WITH A FRAME LOWERED HEIGHT OF 5-1/2" / 140MM. (LOW RISE) LIFTS 26" / 660MM IN 36 SECONDS FOR QUICK ACCESS TO THE VEHICLE, NO OBSTRUCTION AROUND THE LIFT IMPROVES PRODUCTIVITY.

ADDITIONAL FEATURES

EQUIPMENT FOOTPRINT



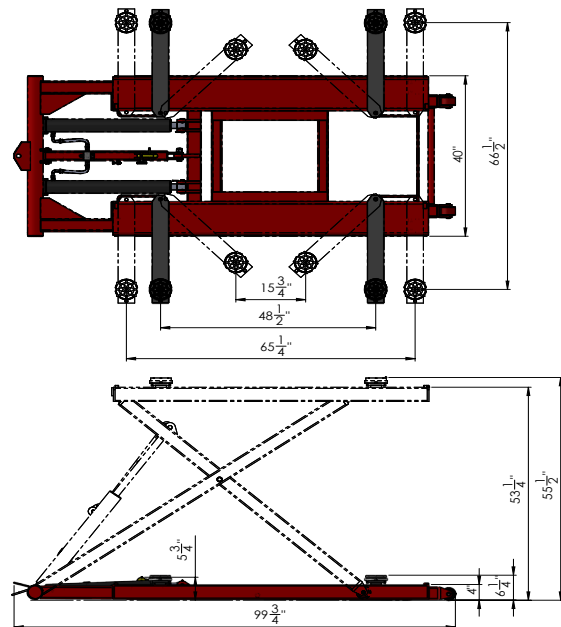
HEIGHT EXTENSIONS INCLUDED



TWIN HYDRAULIC CYLINDERS



NORTH AMERICAN "BUCHER" 1 HP OR 2 HP POWER UNIT



CONTACT US NOW

866-799-LIFT



**THE LIFTSUPERSTORE
HEADOFFICE & MANUFACTURING
2300 SPEERS RD OAKVILLE ONTARIO**



AUTHORIZED TLS DISTRIBUTORS LOCATED: ALABAMA, ARIZONA, CALIFORNIA, FLORIDA, TEXAS, INDIANA, KANSAS, NEW ENGLAND, NEW HAMPSHIRE, WISCONSIN, MISSOURI, & VIRGINIA